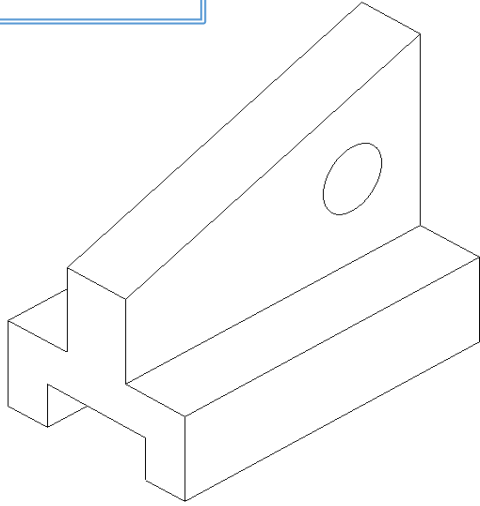


An essential tool for communicating design is drawing skills and knowledge. Draw the various views of the shape shown.



Plan view

End view

Front view